

## KX2 Side KX installation

**NOTE:** The installation of any Side KX parts does NOT require the unsoldering of any connection nor removal of ANY of the boards from within the radio!

*The user/installer assumes all liability for damage to the radio or any of its components. Please visit my web site and watch the installation video(s) prior to doing this installation.*

**Tools:** #1 Phillips Screwdriver, Needle Nose Pliers, Pen Knife or Small Awl, 10mm Socket or Open/Spanner end wrench.

### Procedure

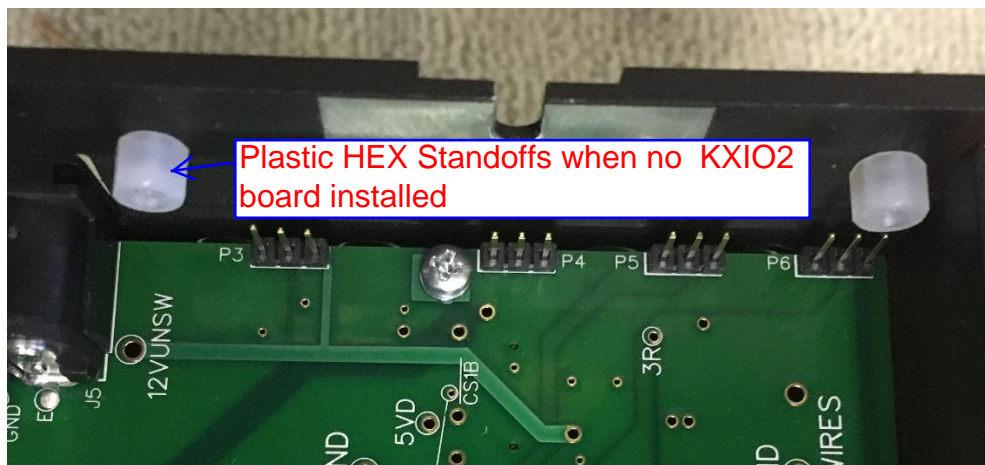
On the new Side KX end plates remove **all** of the green masking tape from the inside surface of each plate.

Next you will need to open the KX2 radio case by loosening the knurled nuts and remove the battery if installed. If this radio has a connector in the speaker wire, you can also disconnect this and free the back panel from the radio. If not, use care and do not damage the speaker wires while working throughout the install procedure.

Start on the LEFT end of the KX2 (with the power port and silk screened logos). Remove the top (2) Phillip's head screws, save these screws in a safe place, you will reuse these screws.

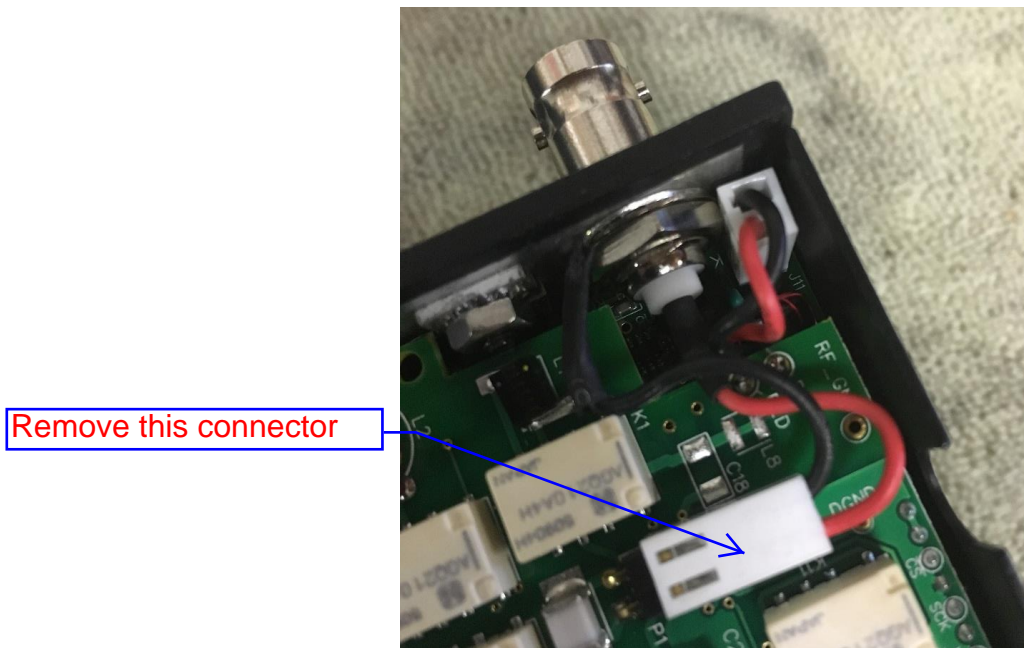
If the radio has the KXIO2 installed, two more screws [left-side] must be removed before the panel can be removed. The two screws are different sizes, keep them separate, to use when installing the Side KX panel.

If the radio does not have the KXIO2 installed you can remove the panel and this allows easy access to the bottom (2) Phillip's head screws that are held in place by (2) plastic hex standoff's. Using needle nose pliers, gently grip the plastic standoff while unscrewing the Phillip's Screws. You can transfer these screws and standoffs over to the corresponding holes in the new Side KX Left end panel.

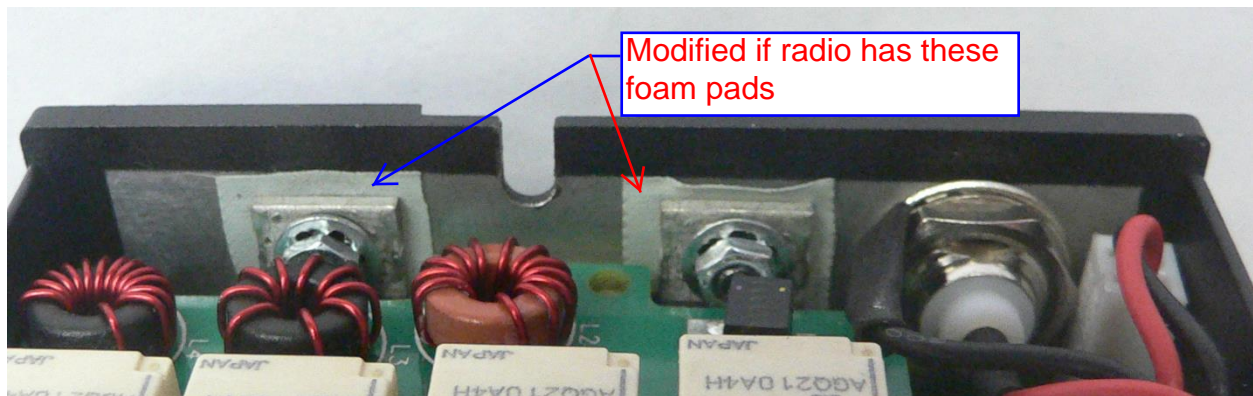


Place the KX2 with the removed end panel up, set the new Side KX end panel in place and start the top (2) Screws back into their corresponding holes. If you have the KXIO2 board align and start these mounting screws. You can now snug these screws down being careful not to over tighten them.

Now you need to look at the RIGHT or BNC end panel. Locate the red and black wires from the BNC housing leading to a small white connector on the PC Board. Gently pull this connector free. The connector may be attached to either the RF board or KXAT2 board.

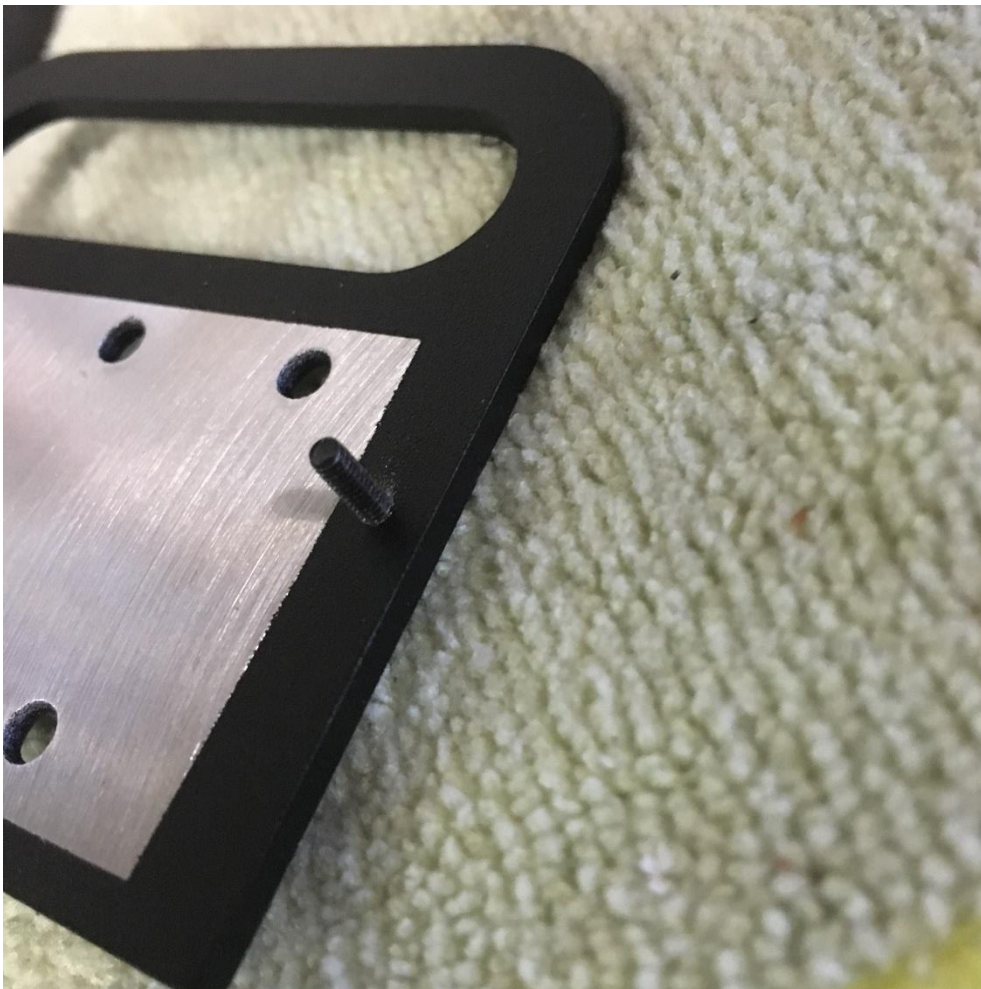


On some of the KX2s a modification has been done to the inside of this panel. As shown on the image below there is a foam pad and small copper strip attached to each of the bottom two Phillips head screws attaching the PA Transistors to the end panel. (*Not all Radios have or need this modification*)



Using a wrench, you can grip the nuts on the bottom (2) Phillip's screws holding the PA Transistors in place being careful not to damage the foam pad or copper strip attached between these if your radio has this modification. Remove the screws, shoulder washers, lock washers and hex nuts, and again save this hardware for re installation on the new panels.

Next remove the top (3) Phillip's head screws from the factory end plate. You will notice there is still one more screw in place, this is just threaded into the endplate and used as an alignment post between two of the PC Boards in the radio, you can gently remove the factory end panel. Transfer this last Phillip's headed screw over to the new Side KX end panel in the same corresponding hole.

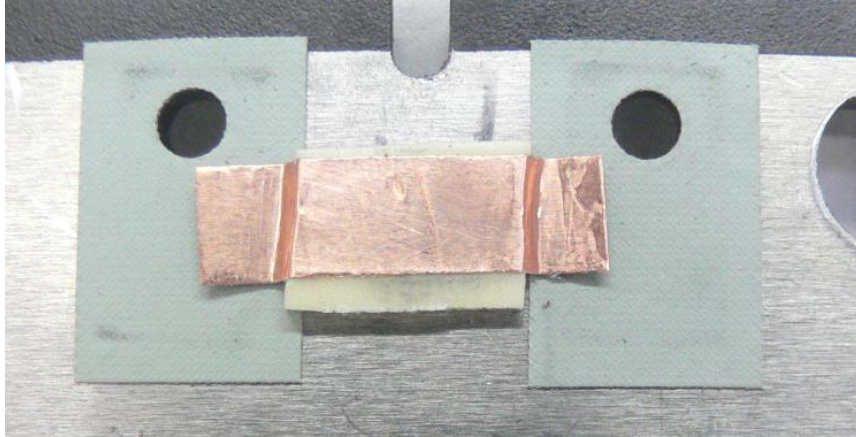


With the factory end panel now free, using a sharp pointed Awl or Pen Knife tip depress the metal contact in the white connector housing from the BNC for just the RED wire. You can now gently pull this wire free from the white housing, take note of the orientation of this metal contact as you will re-install it shortly. Transfer the BNC housing by removing the 10mm hex nut, washer and black wire from the housing over to the new Side KX panel and snug the hex nut down. Reinstall the red wire's metal contact back into the white connector housing, it should slightly snap in place. Gently tug on this connection to check to see that it is seated back in the housing.



If your KX2 had the PA modification, using a sharp knife blade you can carefully transfer the copper strip and foam isolation pads from the factory panel over to the new Side KX panel. Take care to reposition these pads in the same location they were removed from.

*NOTE: Should you damage these parts in transition, replacements can be obtained from Elecraft under part number KX2-MODKT-HS.*

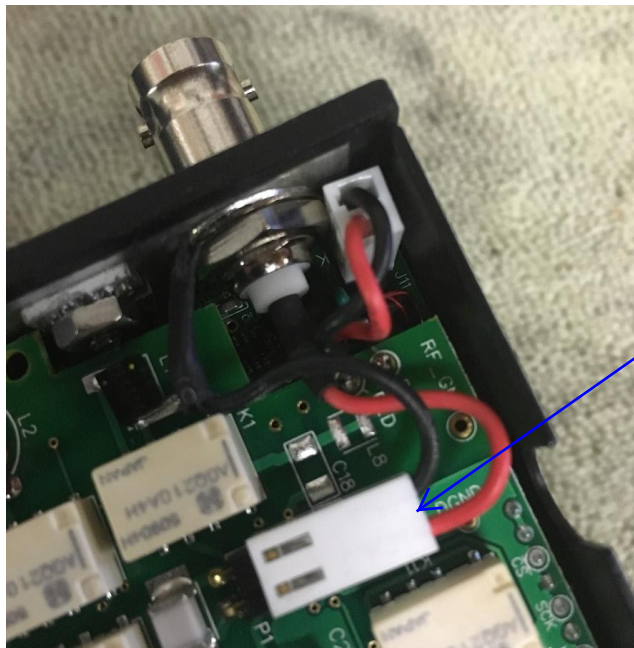


Next you can begin the reassembly by gently placing the new right Side KX end panel back on the radio, being mindful of the BNC wire Harness and the lone indexing screw. You must guide this screw below the CP (top) board and the next PC Board down as a spacer. Now start the top (3) Phillip's head screws, but DO NOT snug them down, allowing the end panel to float around a bit. This will allow you to align the bottom two screws through the holes in the PA Transistors. If you have the modified foam pad and copper strip make sure these are aligned before adding the lock washer, shoulder washer, and hex nut to each screw. You can place the radio on its end and to let gravity help you here. Now carefully snug up all (5) of the mounting screws.



You can now place the radio face down with no damage to any of the front display, knobs or buttons!

Next reconnect the white antenna connector from the BNC with the red and black wires back on to the PC Board you had removed it from. Make sure the connector is aligned correctly. The pins will easily align with the white connector when correctly oriented.



Replace this  
connector as  
shown

If you disconnected the back panel at the speaker wire connection, reconnect it. Reinstall the battery and assemble the case. You now have protected the BEST small radio on the market!

73 Scott AK6Q

Customer Support: Should you have any installation issues, please contact me at [www.GEMSPRODUCTS.COM](http://www.GEMSPRODUCTS.COM) using the CONTACT tab. Please contact me before requesting help from Elecraft Customer Service.

Elecraft replacement parts: send an e-mail to [parts@elecraft.com](mailto:parts@elecraft.com) regarding KX2-MODKT-HS

Should your radio require support from Elecraft, you must obtain prior authorization from them before sending a radio in for service.